

31.10.2011

Diary No 4956/1021/2011

Based on

Supersedes

Fairway Terminology, Finnish Maritime Administration Bulletin
7/12.7.2005 Diary No 1342/610/2005

Period of validity

From 31 October 2011 until further notice

Key words

channels, instructions

Fairway terminology

These instructions by the Finnish Transport Agency include descriptions of the essential fairway terminology used in Finland.

The purpose of the descriptions is to clarify the meaning of terms connected with fairways/channels, their interpretation and the responsibility of authorities providing fairways/channels. The descriptions are primarily connected with public channels and the terminology associated with them.

The actual definitions are written in bold print. Concepts relating to draught and fairway areas, geometry and headroom are illustrated by drawings.

Director General, Maintenance

Raimo Tapio

Technical Director

Markku Nummelin

FURTHER INFORMATION

Jarmo Hartikainen
Finnish Transport Agency
phone +358 (0)20 637 3334

Contents

1	CHANNEL	3
2	CHANNEL ALIGNMENT AND NAVIGATION LINE	3
3	CHANNEL LOCATION	4
4	AUTHORISED DRAUGHT	4
5	GROSS UNDERKEEL CLEARANCE	4
6	SAFE CLEARANCE DEPTH	5
7	FAIRWAY AREA	5
8	FAIRWAY SPACE	6
9	HEADROOM	6
10	ANCHORAGE AREA	7
11	SECURED SUPPLEMENTARY AREA	7
12	SPECIAL SEAFARING AREA	8
13	BOATING ROUTE	8
14	CANAL	8
15	ROUTEING SYSTEM	8
16	ROUTE	9
17	RESERVE CHANNEL	9
18	AID TO NAVIGATION	9
ANNEXES		
Annex 1	Draught concepts associated with channels, drawing	
Annex 2	Spatial and geometrical terms associated with fairways, drawing	
Annex 3	Cross-section of channel, drawing	
Annex 4	Headroom under bridge, drawing	
Annex 5	Headroom under overhead cable, drawing	

1 Channel

A channel is a continuous water route between two end points. It is marked at sea and presented on a chart.

Pursuant to the Water Act (264/1961), a public channel refers to a channel in a watercourse or the sea which, based on the provisions of the Act, has been declared a public channel or a public local channel. Other channels are private.

After receiving an application from the Finnish Transport Agency to this effect, the Regional State Administrative Agency can assign a part of a waterway that needs to be kept open for public waterborne traffic as a public channel. The channel is established by a Decision of the Finnish Transport Agency.

Public channels are marked on nautical charts maintained by the Finnish Transport Agency.

All channels on the Finnish coast and inland waterways, except for channels and sections of channels on the open sea or in other deep, open waters, can in principle be regarded as 'narrow channels' referred to in the Rules of the Road at Sea.

NB. In this text the word 'channel' is used as a general term for all waterways including sea channels, inland waterways and fairways.

2 Channel alignment and navigation line

The channel alignment delineates the location of the channel in the water area.

In principle, the channel alignment consists of sequential, straight navigation lines. The navigation lines are interconnected by bends (arcs). The alignment can also be shown by means of a free line (small craft routes, the alignment of shallow channels in narrow straights).

The navigation line delineates the track that the ship is expected to follow in the channel.

Navigation lines may be marked by leading marks.

For wide, two-way channels normally only one alignment is shown (single navigation lines).

The navigation line is not necessarily situated in the middle of the fairway area.

The channel alignment is unambiguously shown by means of coordinates in the waterway design documents and on the waterway chart, which is submitted to the Regional State Administrative Agency in connection with the application to make a channel public pursuant to the Water Act.

Data about the location of the channel alignment/navigation lines is stored and maintained in the Fairway Register of the Finnish Transport Agency.

The channel alignment is shown on nautical charts by means of a continuous line.

3 Channel location

The location of a channel is an expression used in the Water Act, referring to the place and course of the channel in the water area.

The location is indicated on nautical charts as a channel alignment, if not otherwise. In documents for applications pursuant to the Water Act, the location is shown by indicating both the fairway area and the channel alignment unambiguously on a chart tied to the coordinate system.

4 Authorised draught

The channel depth is referred to as the authorised draught. The authorised draught of a channel refers to the maximum design draught at which a ship can use the channel. The authorised draught is determined from the reference level.

In sea areas, the reference level is the Mean Sea Level of a certain year (MW) and in inland waterways generally the low water level of the navigation season (LWnav).

The authorised draught does not mean that any ship in any circumstances and conditions could use the channel without risk of grounding, even if her draught, taking the water level into consideration, does not exceed the draught of the channel. Correspondingly a ship may, under certain circumstances and when taking the conditions, ship properties, safe clearance depth and other available data into consideration, use the channel when her draught exceeds the authorised draught of the channel.

The draught of a public channel is confirmed in the Decision of the Finnish Transport Agency to establish the channel. The authorised draught is shown on the nautical chart as a figure on the navigation line.

5 Gross underkeel clearance

Gross underkeel clearance refers to the minimum amount of free water required under the keel of a vessel for the channel to be clear when the vessel is stationary and has a draught according to the authorised draught of the channel.

The gross underkeel clearance is necessary in order to compensate for the vertical movements of a vessel underway as well as to maintain the maneuverability of the vessel and avoid groundings.

The determination of the gross underkeel clearance is based on the channel design guidelines and planning practices valid at the time. The gross underkeel clearance may vary in different sections of the channel.

6 Safe clearance depth

The safe clearance depth, or secured water depth, refers to the depth to which it has been secured that the channel is clear.

The safe clearance depth is determined as the sum of the authorised draught and the gross underkeel clearance of the channel. The safe clearance depth may vary in different sections of the channel, depending on the gross underkeel clearance, even if the authorised draught in the channel remains the same.

The determination of the safe clearance depth is based on the reference level, which in sea areas is the Mean Sea Level of a certain year (MW) and on inland waterways, generally the low water level of the navigation season (LWnav).

The safe clearance depth with respect to the water depth is secured by a method of sufficient accuracy. There is always an error limit (+/-) associated with the establishing of the safe clearance depth. When the distance between the safe clearance depth and the actual seabed diminishes, the error limit of the method must be no higher than 0.1 m. The margin of error accommodates inevitable errors arising from the equipment and conditions. The error limit above the nominal safe clearance depth is included in the net underkeel clearance.

The safe clearance depth is indicated in the decision on the establishment of the channel.

In merchant shipping lanes, in which the fairway area is charted, the safe clearance depth can be marked on the chart. The safe clearance depths of channels are also indicated on fairway cards. Otherwise the safe clearance depth is shown on charts only in special cases.

7 Fairway area

The fairway area is an area intended for the use of waterborne traffic delimited by the channel's edge lines.

The fairway area also includes any special seafaring areas that are designed to exist in connection with the channel, such as encounter and swinging areas.

The water depth of the fairway area is assessed to the safe clearance depth, which in turn is based on the authorised draught and the corresponding gross underkeel clearance. Seafarers will be informed separately, if any spots are detected in which the water depth is lower than the safe clearance depth.

The fairway area is unambiguously defined by means of coordinates in the waterway design documents (waterway design chart) and on the waterway chart submitted to the Regional

31.10.2011

Diary No 4956/1021/2011

State Administrative Agency in connection with an application to establish a public channel pursuant to the Water Act. In older decisions, the fairway area is not always indicated. In such cases, the area determined by buoyage, secured water depths and the general design criteria for fairway areas is considered as the fairway area.

In some channels, the fairway area is rastered on nautical charts. Position data on fairway areas is stored and maintained in the Fairway Register of the Finnish Transport Agency.

The edges of a fairway area are marked by spar buoys, buoys and edge marks. All break points of the fairway area are not necessarily marked.

The Channel Authority shall ensure that no points shallower than the indicated safe clearance depth exist in the fairway area. In practice, this is interpreted to mean that the depth shall be secured by surveys carried out in a correct and comprehensive manner when the channel is being established. The Channel Authority also has the duty to verify the safe clearance depth at any later date, if there is justified cause for this, and to take necessary steps in case any reduction of the depth is detected.

8 Fairway space

The fairway space is a space intended for waterborne traffic delimited by the channel edge lines, the safe clearance depth and the available headroom.

As regards the fairway area and the safe clearance depth, reference is made to the relevant descriptions. Any limitations of open space and headroom are indicated by waterway signs. Height restrictions are also shown on nautical charts.

Restrictions of height and open space that obstruct waterborne traffic in public channels require a permit pursuant to the Water Act. The applicant is responsible for the posting of signs to mark the restrictions and for ensuring that the fairway space is not restricted more than indicated in the terms and conditions of the permit.

9 Headroom

Headroom refers to the greatest authorised vessel height (airdraft), in general the height of the mast, with which an obstacle restricting the fairway space vertically (bridge or overhead cable) can safely be cleared. The headroom is determined from the reference level.

In sea areas, the reference level is the Mean Sea Level of a certain year (MW) and in inland waterways, generally the high water level of the navigation season (HWnav).

For terminology associated with the determination of the headroom of bridges and overhead cables, reference is made to Figures 4 and 5.

10 Anchorage area

The anchorage area is a dedicated area for anchoring with defined limits, indicated on the nautical chart and also marked at sea if necessary.

The anchorage area can be an area adjacent to the fairway area or one separate from the actual channel, for example in off-shore areas beyond the outer reaches of the channel. Not all wider areas associated with the fairway area used by ships for encounter and swinging or for temporary anchorage are anchorage areas.

The provisions of the Water Act on anchorage areas apply to these areas.

Nautical charts include so-called recommended anchorages with no defined limits. These are neither official anchorage areas nor do the areas have the status of an anchorage area pursuant to the Water Act.

11 Secured supplementary area

A secured supplementary area is a water area adjacent to the channel, having the same safe clearance depth and located outside the actual fairway area.

Secured supplementary areas may be indicated in the Decision to establish the channel.

The purpose is to inform channel users of all areas with secured water depths, in case it should be necessary to deflect from the fairway area, e.g. for icebreakers assisting ships in winter.

In the secured supplementary area, the water depth is measured and secured in the same way as that of the actual fairway area.

In general, the secured supplementary area is only determined to the level corresponding to the authorised draught in the channel. By way of exception, the area can also be determined to another depth.

Secured supplementary areas are not marked at sea. In areas featuring shoals marked with aids to navigation that are located further from the fairway area but still adjacent to the channel, the secured supplementary area reaches at least from the channel to the aids to navigation.

As a rule, secured supplementary areas are not shown on nautical charts. They may however be shown on special charts and in special publications.

No special permit is required for a secured supplementary area in connection with the application to establish a public channel. In secured supplementary areas seafaring has no priority over other uses of the area.

The position data of secured supplementary areas is stored and maintained in the Fairway Register of the Finnish Transport Agency.

12 Special seafaring area

A special seafaring area is an area that has been surveyed and secured for seafaring, although no officially established and marked channel exists in that area.

Special seafaring areas are, for instance, waters surveyed and determined at open sea, outside the channel.

Special seafaring areas are usually not shown on nautical charts. They may, however, be shown on special charts and in special publications.

13 Boating route

A boating route is a shallow channel of lower category, mainly used for boating /yachting.

Boating routes are likewise public channels to which the fairway terminology, definitions and regulations described above apply.

As the water depth in boating routes is not necessarily comprehensively secured, the indicated draught for boating routes is to be interpreted as a guideline only.

Boating routes and their buoyage are shown on small craft chart folios, charts of inland water ways and on track and yachting charts. As a rule they are not shown on coastal charts. As distinct from other channels, the boating route alignment is marked with a broken line.

14 Canal

A canal is a narrow stretch of water joining two parts of a watercourse, often wholly or partly constructed on land.

Canals can either be open canals or lock canals, depending on the difference in water level between the waterways.

A canal area is the administrative area belonging to the authority providing channel maintenance, comprising the canal and the surrounding land areas.

15 Routeing system

A routeing system refers to any system, such as a traffic separation scheme, which serves navigation in off-shore areas beyond approach channels. The purpose of routeing systems is to direct traffic into designated corridors and if necessary to separate oppos-

ing streams of traffic by the establishment of traffic lanes and to direct any intersecting traffic through indicated crossings.

Routeing systems are adopted by the International Maritime Organisation (IMO). The design, use and marking of such areas are based on guidelines and recommendations issued by the IMO (IMO/Ships' Routeing).

Routeing systems are not part of the Finnish network of channels. The provisions of the Water Act on the establishment of channels do not apply to such areas. Routeing systems in Finnish territorial waters are, however, subject to the provisions of the Finnish water and environmental legislation on waterways.

The water depth of areas with a routeing system is secured by the same methods as that of actual channels.

16 Route

Route is a general term for a waterway connecting two points.

A route may consist of several channels or several sections belonging to different channels, or it can also be an off-shore route located wholly or partly beyond any channel.

Routes do not have any specific administrative or legal status.

17 Reserve channel

Reserve channels are channels for merchant shipping and other civilian navigation designated for use in case of a state of emergency or a crisis situation.

Reserve channels form an alternative to routes used in normal circumstances and are capable of being taken in use on short notice in case of need, should traffic in the channels normally used be disrupted. A reserve channel may coincide partly with an existing channel, partly make use of other routes.

18 Aid to navigation

Aids to navigation are structures and devices located in the water or on shore to mark channels or otherwise guide and safeguard waterborne traffic.

Aids to navigation include navigational marks, waterway signs and light signals.

Aids to navigation can be fixed or floating. They consist of a physical structure and associated technical devices. An aid to navigation can be identified by its daymark, light character, radar signal or by its colour.

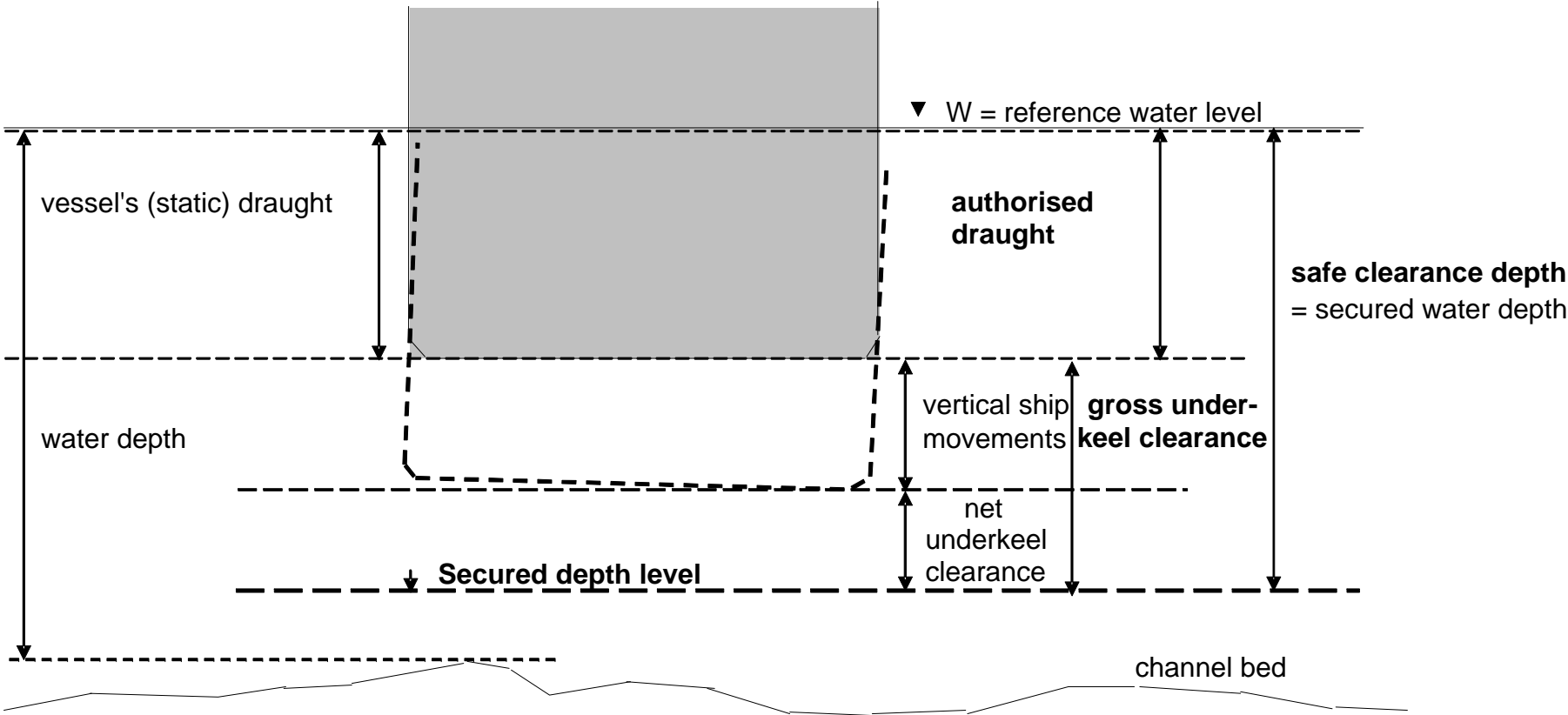
31.10.2011

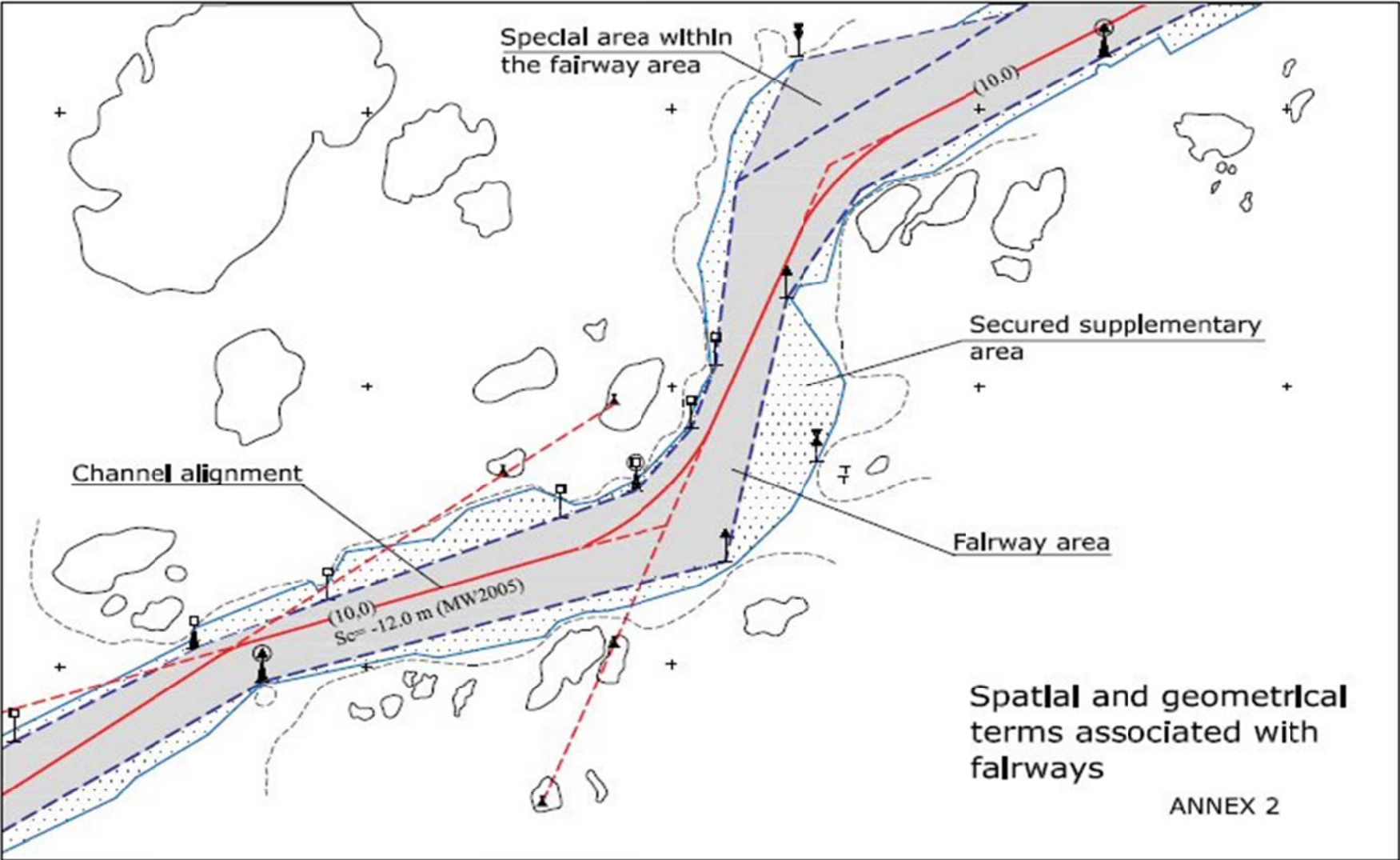
Diary No 4956/1021/2011

Aids to navigation used for navigation and the marking of a public channel are shown on nautical charts.

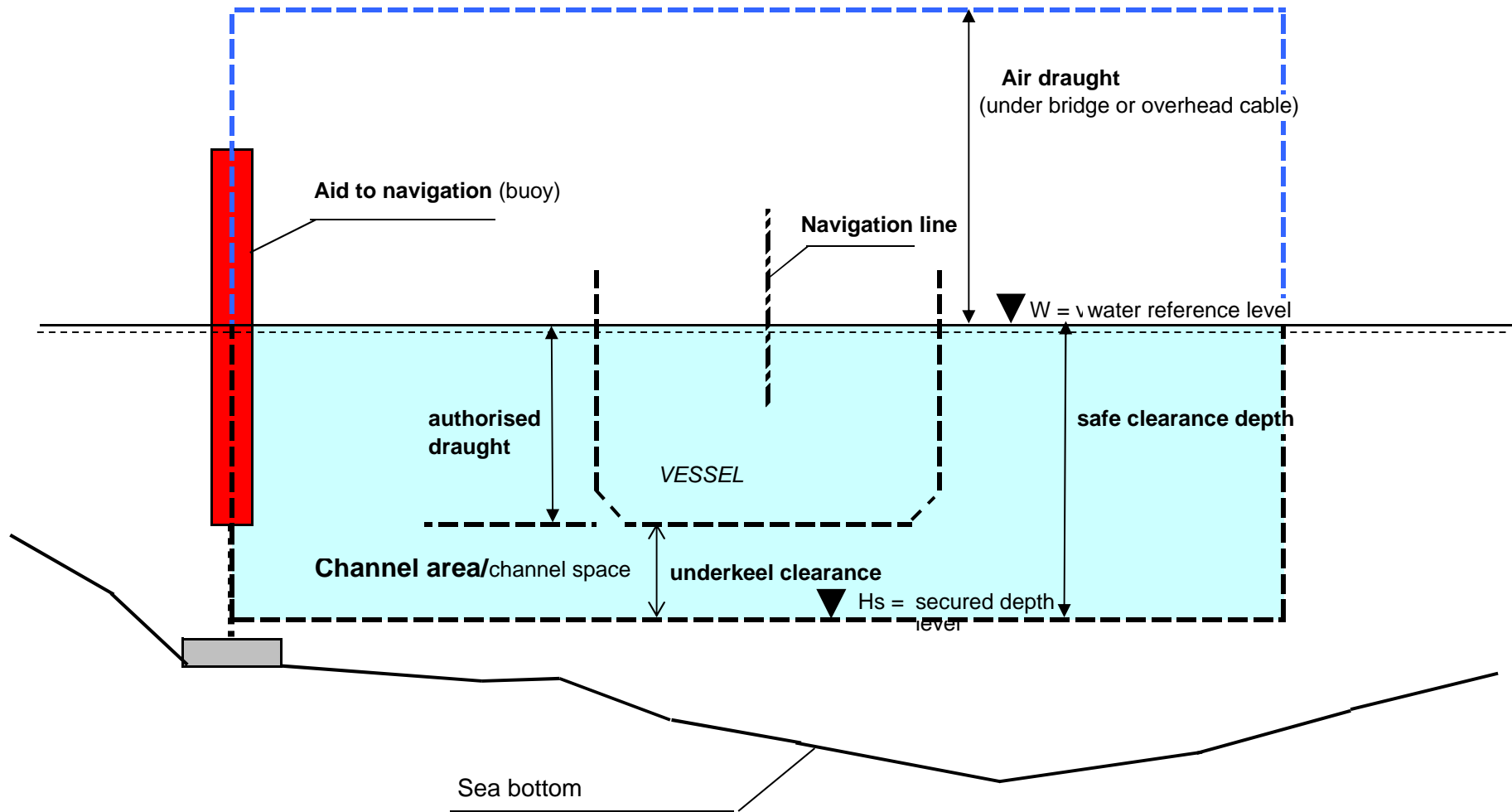
For regulations on aids to navigation and their positioning, please refer to the Water Act (264/1961), the Decree on the buoyage of waterways (846/1979), the Decision of the National Board of Navigation on the buoyage of waterways (29.5.1995, No. 5/00/95) and the Finnish Transport Agency Regulation on waterway signs and light signals (12.11.2010, No. 154/040/2010).

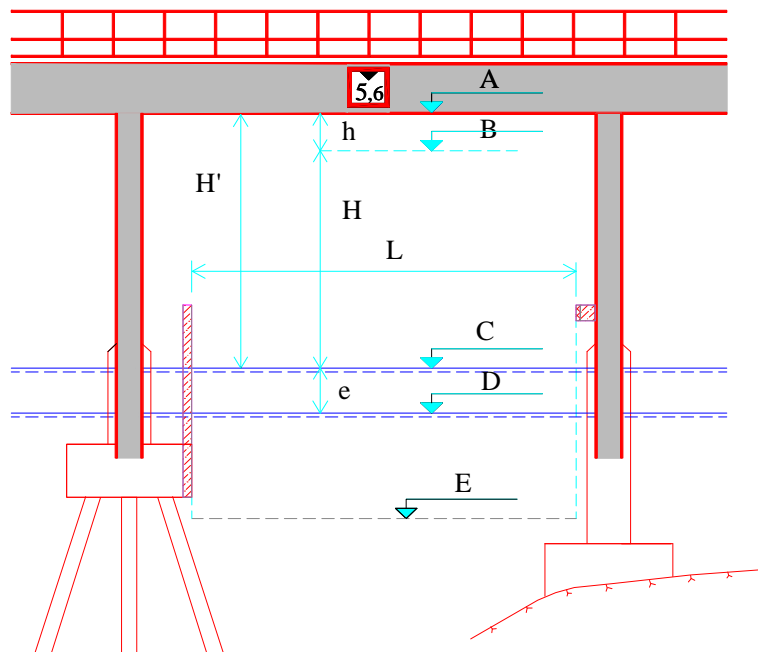
DRAUGHT CONCEPTS ASSOCIATED WITH CHANNELS





CROSS-SECTION OF CHANNEL



HEADROOM UNDER BRIDGE

H = HEADROOM (maximum authorised height of mast)
Indicated on charts and on the bridge; here 5.6 m

h = SAFETY MARGIN TO COVER WAVE ACTION AND THE ROLLING OF THE SHIP
On inland waters usually 0.5 m; in sea areas 0.5 – 1.0 m

H' = VERTICAL CLEARANCE (H + h)

L = HORIZONTAL CLEARANCE

A = LEVEL OF LOWER EDGE OF BRIDGE

B = LEVEL OF MAXIMUM VERTICAL CLEARANCE FOR SAFE TRANSIT

C = REFERENCE LEVEL

- Mean Sea Level (MW); or
- High Water of navigation season (HWnav) on inland waterways

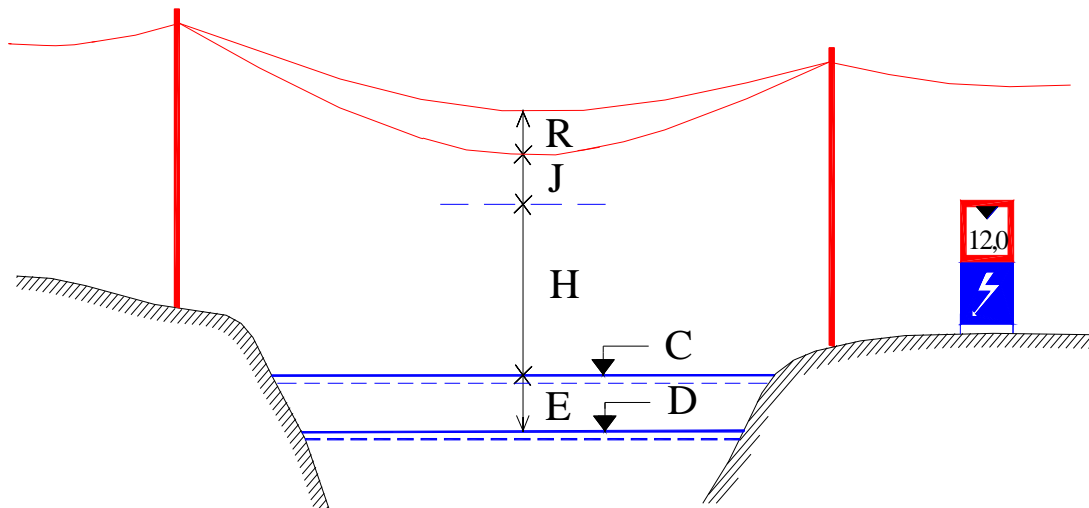
D = LOW WATER LEVEL OF NAVIGATION SEASON

E = SAFE CLEARANCE DEPTH (sweeping level)

e = VARIATION CAUSED BY LOWER WATER LEVEL

Neither included in the headroom indicated on charts nor on the bridge

ANNEX 5

HEADROOM UNDER OVERHEAD CABLE

- H = HEADROOM (maximum authorised height of mast)
Indicated on charts and by means of waterway signs close to the overhead cable; here 12.0 m
- R = MAXIMUM SAG ALLOWANCE DUE TO HEAT OR ICE LOAD
- J = SAFETY DISTANCE (1.5 ... 4.5 m)
Safety margin between the lowest position of the cable and the maximum authorised height of mast (necessary to avoid electric discharge), distance dependent on cable voltage.
- C = REFERENCE LEVEL
- Mean Sea Level (MW); or
- High Water of navigation season (HWnav) on inland waterways
- D = LOW WATER LEVEL OF NAVIGATION SEASON
- E = VARIATION CAUSED BY LOWER WATER LEVEL
Neither included in the headroom indicated on charts nor on the waterway sign marking the headroom under the overhead cable